

CONVECTAIR



APERO

7358 B

120V

Installation, Operating Instructions & Warranty Registration

IMPORTANT : to be read and kept by the user

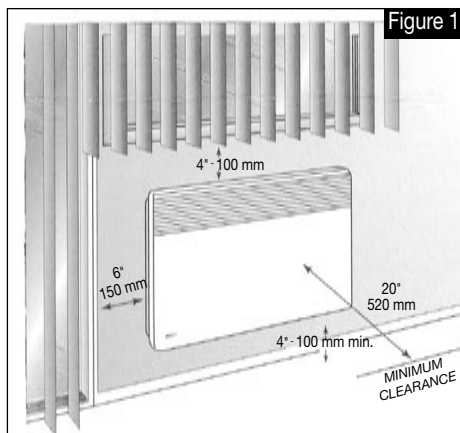
1 Introduction

Dear owner,

- Congratulations on the purchase of this new premium electric heater from CONVECTAIR, manufacturer of the highest quality heating product in the electrical industry.
- To obtain the best results and the ultimate in performance and comfort please carefully read the installation and maintenance instructions shown in this manual.

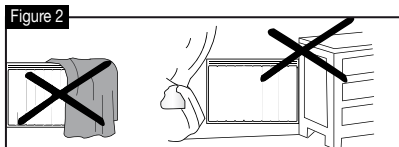
2 Planning the installation

- 1- Choose the location where the CONVECTAIR will be installed.
- 2- Check that nothing such as drapes or furniture interferes with the airflow to and from the CONVECTAIR ; see required clearances (Figure 1).
- 3- Make a note of the minimum required clearances for this heater and ensure that there are no restrictions before choosing the location.(see Figure 1).

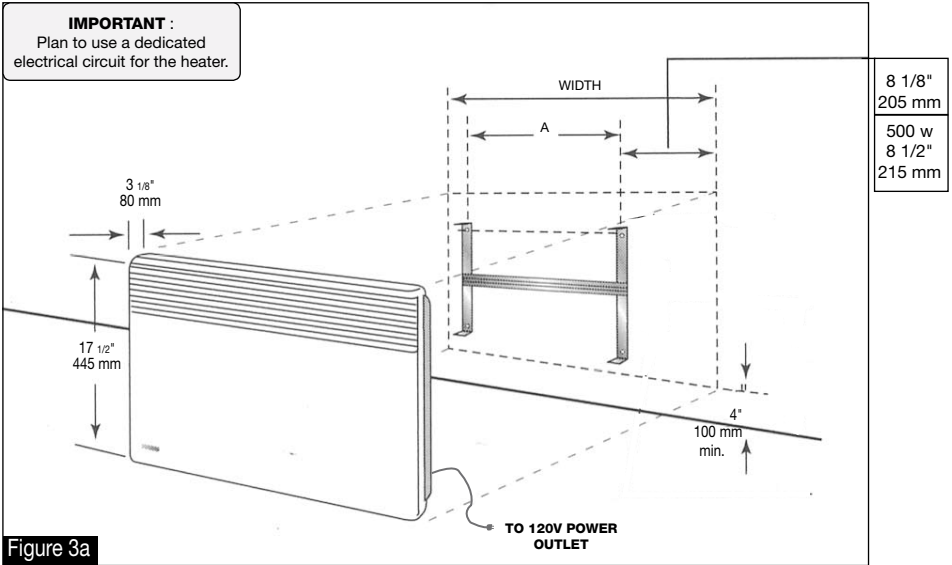


IMPORTANT :
DO NOT COVER THE HEATER

- The above logo warns of a risk : do not cover.
- Do not cover or obstruct the air intake or outlet on the unit as this could cause overheating and damage the heater.

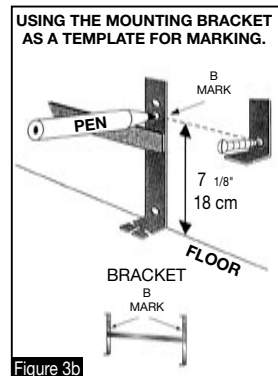


3 Installation



- 1- Free mounting bracket by pressing and pulling both locking brackets.
- 2- Use the mounting bracket as a template by holding it against the wall flush to the floor. Use the B mark to locate the bottom fasteners. With the template the unit will be installed at 4 " (10 cm) from the floor (Figure 3a & 3b).
- 3- Relocate the mounting bracket to match the marks with the holes for the bottom fasteners.
- 4- Check horizontality of the mounting bracket then mark and pierce the 4 holes for fastening.
- 5- Replace mounting bracket and fasten it with screws.

WATTS	Width		A	
	mm	in	mm	in
500	340	13 3/8	155	6 1/8
1250	660	26	320	12 5/8



4 Electrical Connection

PLEASE READ CAREFULLY : These instructions are essential to the safe installation and operation of this Convectair heater.

This product is rated 10,4 amps (1250W) at 120V, 60Hz

1- YOUR HEATER MUST BE ENERGIZED BY A 120V POWER OUTLET.

2- This Convectair heater could become very hot when in use. Please use extra caution with young children or persons sensitive to heat.

3- Do not insert or allow foreign objects to enter in the openings on the front of the unit, as this may cause an electric shock, fire, or damage to the heater.

4- To prevent any dangerous overheating, do not deposit cloths directly on the unit. Keep combustible materials, such as drapes, blinds, etc. away from the heater. Do not install behind doors, furniture, boxes or clothing.

5- This heater is equipped with a heating element that becomes very hot. Do not install or use it in areas where gasoline, paint or flammable liquids are stored.

6- Use this heater only as described in this manual. Any other use not recommended by Convectair may cause fire, electric shock, or injury to persons.

CONVECTAIR recommends that this convector be installed by a qualified electrician, in accordance with national and local codes.

1- Choose the location where the CONVECTAIR will be installed

2- Check that nothing such as drapes or furniture interferes with the airflow to and from the CONVECTAIR ; see required clearances (Figure 1).

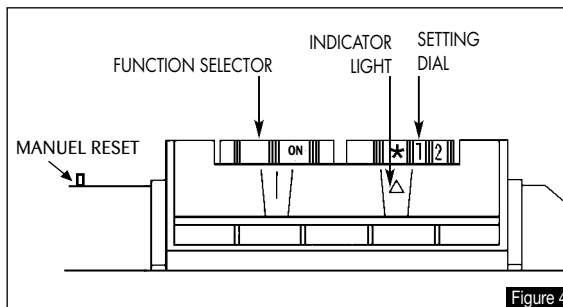
This unit is equipped with a three-wire grounding type AC plug. This plug will only fit into a grounding-type power outlet. This is a safety feature. If you are unable to insert the plug into the outlet, contact your electrician to have a suitable outlet installed. Do not defeat the safety purpose of the grounding plug.

This heater draws 10.4 amps during operation. **To prevent overloading a circuit, do not plug the heater into a circuit that already has other appliances working.**

Avoid the use of an extension cord because the extension cord may overheat and cause risk of fire. However, if you have to use an extension cord, the cord should be a 14 AWG minimum size and rated 15amp, 125 Volts.

5 How to use your heater

When the CONVECTAIR is on, it cycles every 25-30 seconds. The red indicator light tells you when heat is on. The CONVECTAIR will always remain warm and ambient temperature will remain constant. It is normal in very cold temperatures the unit could become hot. Caution is advised when young children are present.



Setting the thermostat

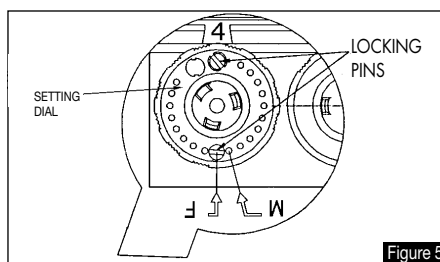
To set thermostat, adjust setting dial on the control panel (Figure 4), to the desired comfort level (between 5 and 7).

After approximately an hour of use, if adjustment is not satisfactory, slightly turn the setting dial either clockwise to increase temperature or counter clockwise to lower it.

■ The ON/OFF switch is installed on the control panel of the CONVECTAIR (Figure 4). The unit will only operate when switch is in the ON position. An internal indicator light is located next to the thermostat setting dial. It will glow a red light to show that heat is on (this indicator may not be visible under bright lighting conditions).

Locking the setting dial

First, detach the unit from the wall brackets. Behind the setting dial, two pins are provided. Remove the pins with pliers by rotating gently. To lock the setting dial, insert a pin in front of the "F" mark. To block the setting between the minimum and a desired maximum setting, insert a pin in front of the "M" mark (Figure 5).

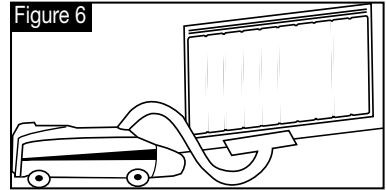


Temperature limiting control

This heater is equipped with manual reset control. In case of a malfunction of the unit (blocked air output or intake, for example) the heater will stop heating automatically. After correcting the malfunction the heater can be reset. Push the button on the upper back panel of the heater.

6 Maintenance

To keep your CONVECTAIR unit clean, regular maintenance is suggested. To remove dust, use a soft cloth. To remove a stain, use a damp cloth. For a better performance and a maximum efficiency, it is suggested that dust and lint be regularly removed from the protective grille situated at the base of your Convectair (Figure 6).



NEVER USE ABRASIVE OR ACETONE-BASED PRODUCTS TO CLEAN THE HEATER AS THIS MAY CAUSE DETERIORATION OF THE EPOXY FINISH.

ANY REPAIR ON YOUR CONVECTAIR HEATER SHOULD ONLY BE DONE BY A QUALIFIED TECHNICIAN AFTER DISCONNECTING THE HEATER.

Operation and Maintenance TIPS

Your CONVECTAIR heater will become hot when in use. Caution is advised when young children are present.

Do not insert small objects through the front louvers : this could cause electrical short-circuit, fire or damage to the inner components.

Any use or modifications not approved by CONVECTAIR may cause electrical short-circuits, fire or injuries to the users.

In certain cases, it is possible for yellowing of the grille to occur over time. This is not due to a manufacturing defect. This is caused by surrounding air, which contains smoke or dust, being heated and released through grille.

Prevention : it is suggested that grilles be frequently cleaned especially with units installed in locations where cigarette smoke is present or in the kitchen. Never use this heater during construction work or other activities that generate a lot of dust.

Note : The first time your CONVECTAIR heats, a light smoke could be released. This is normal and should disappear after about 2 to 3 minutes.

7 Diagnostics

IF YOUR CONVECTAIR DOES NOT HEAT :

Before calling your electrician, please go through these simple checks:

- 1- Make sure the breaker in the distribution panel is in the "ON" position.
- 2- Make sure there is no other unit on your heater circuit.
- 3- Check that the ON/OFF switch is ON.
- 4- Turn the setting dial to the maximum setting position.
- 5- If, after these verifications, your unit still does not function, call your electrician or your closest CONVECTAIR repair center.

8 Warranty

- 2 years against all defects
- 5 years on heating element

All CONVECTAIR units are subject to a double warranty: 2 years on all parts and manufacturing defects and 5 years on the heating element itself.

Warranty is applicable from date of purchase by the customer and under certain specific conditions. All details furnished with each unit. Please keep your invoice (purchase and/or installation).

REPAIR CENTERS :

Contact CONVECTAIR for information regarding your closest repair center.

Toll-free : **1-800-463-6478**

CONVECTAIR

30 Carré Sicard, Sainte-Thérèse QC, Canada J7E 3X6

Phone : 1-800-463-6478 Fax : (450) 434-3166

Email : support@convectair.ca

www.convectair.com