

AWC

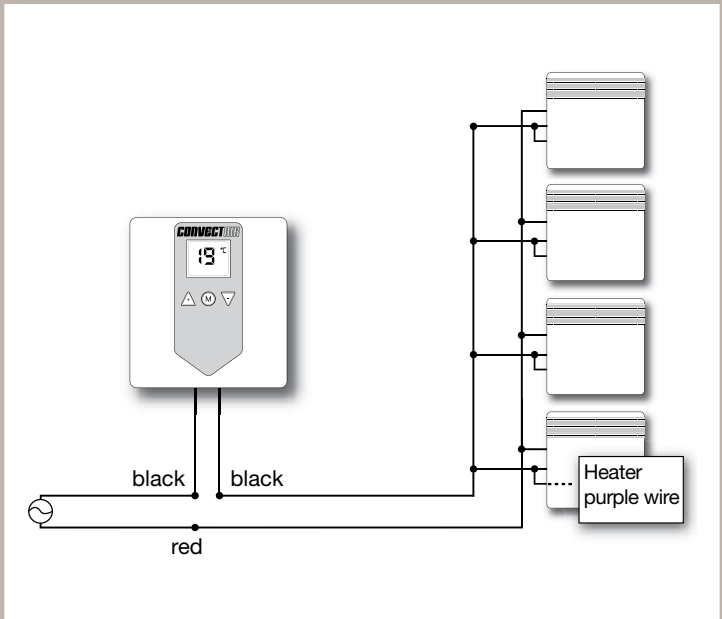


INSTALLATION AND CONNECTION

Recommended installation height 5 ft (1.5 m)

Installation Loosen the screw at the bottom of the wall-mount controller and slide the front upwards to release the base. Using the two screws, attach the base to the junction box (not included). Replace the front and tighten the bottom screw.

Connection 240-V unit: In a junction box (not included) at the back of the AWC wall-mount controller.



The AWC wall-mount controller replaces the control panel on your Convectair heater(s) and is installed in place of your wall thermostat, using the existing wires. It will remotely control the temperature of up to four heaters—digital Apéro (#7359) and Allegro II (#7315/7316/7317) models—in the same room, to a maximum of 4000 watts.

ACTIVATING

Ready to be used once powered on. No battery necessary. Any connected heaters can be controlled only by means of the AWC wall-mount controller.

SCREEN DISPLAY



Select unit of temperature in °F or °C by key combination.

LCD backlit screen.

« + and - » buttons set the temperature and lock the controls.

Mode button with 5 settings: Comfort; Economy; Economy with daily repetition; Frost protection (45°F (7°C)); Stand-by (stop).

Heating indicator light.

CASING



Casing in moulded plastic with rounded edges.

Color BB = White

MODEL	Catalog No.	Color	Capacity	Height		Width		Depth		Net Weight	
				cm	in	cm	in	cm	in	kg	lb
AWC	900-002	BB	4 000 W	13	5 1/8	12	4 3/4	4,5	1 3/4	0,4	0,9

Depth includes the base of the unit.

For guaranteed, dependable operation, we recommend that all units be installed by a licensed electrical contractor in accordance with national and local codes. Consult convectair.com to find the most recent installation instructions for our heaters.

